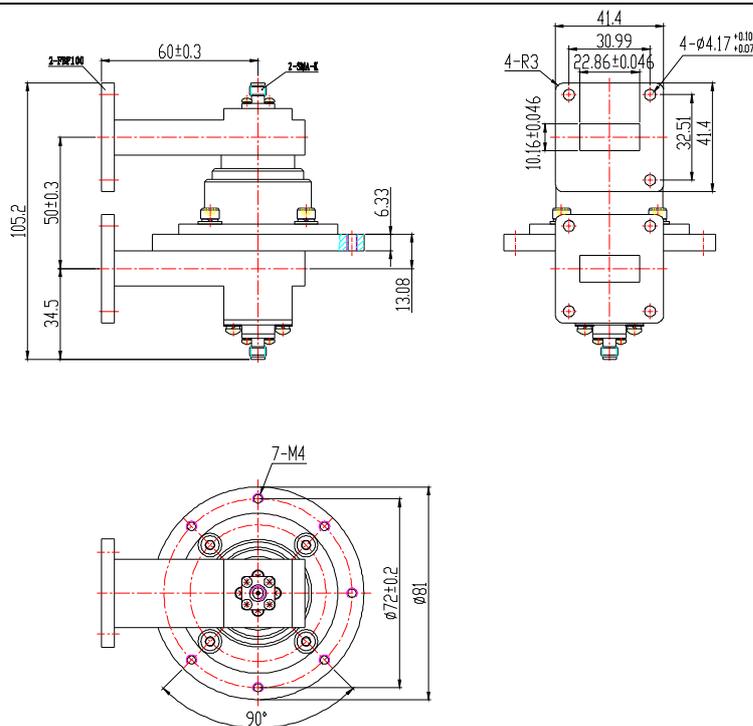


WR90 Waveguide High Power Rotary Joint (UI Type)

Part No: VT100WRJUISKPPC

1.0 Mechanical Specifications		
1.1	Waveguide type	WR90
1.2	Flange	FBP100 (Square cover)
1.3	Connector	SMA-Female
1.4	Material	Cuprum
1.5	Inside finish	Silver Plating
1.6	Outside finish	Anticorrosion gray paint
1.7	Temperature range	-40°C ~ +50°C
1.8	Shape	UI style
2.0 Electrical Specifications		
2.1	Frequency range	9.0-11GHz
2.2	VSWR (Max)	1.3
2.3	VSWR WOW	0.1
2.4	Insertion loss (Max)	0.5dB
2.5	Insertion loss WOW	0.1dB
2.6	Power Handling	20W (CW)

3.0 Outline Drawings

Vector Telecom Pty Ltd

 Level 40, 140 William Street, Melbourne VIC 3000, Australia
 Tel: +61 3 9607 8357 - Fax: +61 3 9607 8282 - www.vectortele.com



Revision History

Date	Revision	Changes
18-1-2013	1	First release

Information furnished is believed to be accurate and reliable. However, Vector Telecom assumes no responsibility for the consequences of use of such information nor for any infringement of patents or other rights of third parties which may result from its use. No license is granted by implication or otherwise under any patent or patent rights of Vector Telecom. Specifications mentioned in this publication are subject to change without notice. This publication supersedes and replaces all information previously supplied. Vector Telecom products are not authorized for use as critical components in life support devices or systems without express written approval of Vector Telecom.

The Vector Telecom logo is a registered trademark of Vector Telecom Pty Ltd.

© 2006 Vector Telecom Pty Ltd - All rights reserved

Email: sales@vectortele.com

www.vectortele.com

Vector Telecom Pty Ltd

Level 40, 140 William Street, Melbourne VIC 3000, Australia
Tel: +61 3 9607 8357 - Fax: +61 3 9607 8282 - www.vectortele.com